

Hyundai 9 Series diesel forklift

25-30

33D-9E



Some of the photos may include optional equipment.

Your satisfaction is our priority!

New Diesel Forklift with Proven Quality and Advanced Technology

Hyundai introduces a new line of 9-series diesel forklift trucks.

The newly designed 4 wheel counterbalance trucks provide every operator comfortable driving, increased productivity and easy maintenance.

High Efficiency

- Tier 3, High power engine : YANMAR 4TNE92 (33.4kW)
- Reduce inching impact : Clutch protection system
- Wet disc brake

Advanced Safety

- Auto parking brake system
- Hill Start Assist Control
- Operator Presence Sensing System (OPT)
- Machine inclination indication

Best Convenience

- 5.6 inch LCD color monitor
- Auto fork leveling system (OPT)
- Load weight indicator (OPT)
- 4 pieces bolt on cabin (OPT)

Easy Maintenance

- Password starting system
- Consumable item replacement cycle warning
- Rear tire cover & under cover (OPT)



Power & Performance

High Efficiency & Optimal Performance

Powerful engine and high technology systems provide you with enhanced performance and highest productivity.



Some of the photos may include optional equipment

High Power Engine YANMAR 4TNE92

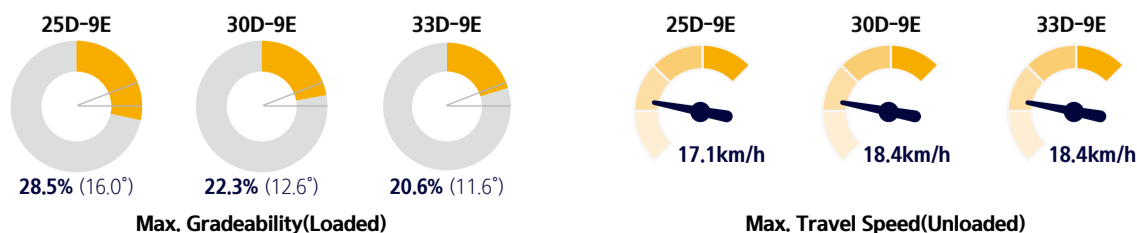
Market approved quality of YANMAR 4TNE92 engine ensures incomparable performance, durability and excellent fuel efficiency. This engine meets EU stage III A emission regulations.



YANMAR 4TNE92 Engine
33.4kW/2,450rpm

Faster Travel Speed & Gradeability

The powerful high-output engine provides greater acceleration, better gradeability and faster travel speed on any tough terrain or slope.



Clutch Protection System

The clutch protection system prevents excessive use of inching as well as minimizes change-impact.



Boosting type brake valve (OPT)

The boosting type brake valve is applied for strong braking performance.



Highly durable drive axle

The strengthened drive axle separable from transmission ensures low vibration and easy maintenance. The wet disc type brake is applied for easy operation, smooth response and maintenance free.



Fully hydrostatic power steering

The hydraulic steering system always guarantees smooth and flexible steering, preventing over-run and kick-back.



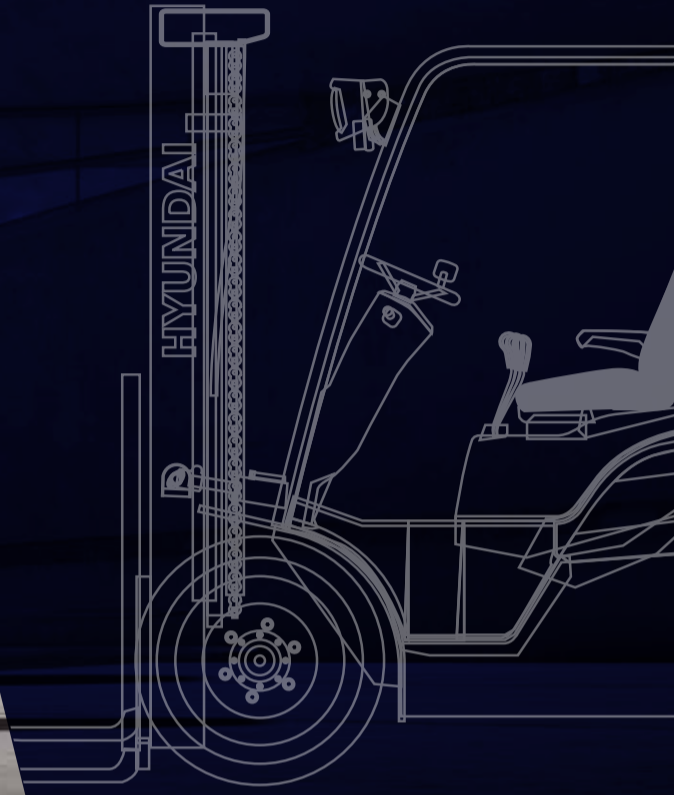
Oil cooled disc brake

The wet brakes with excellent braking power and durability offer a stable and reliable braking power. Also, an oil cooler has been added to improve durability in working environments where the frequency of brake operation is high.

Easy & Comfort

Best Convenience & Optimized Ergonomics

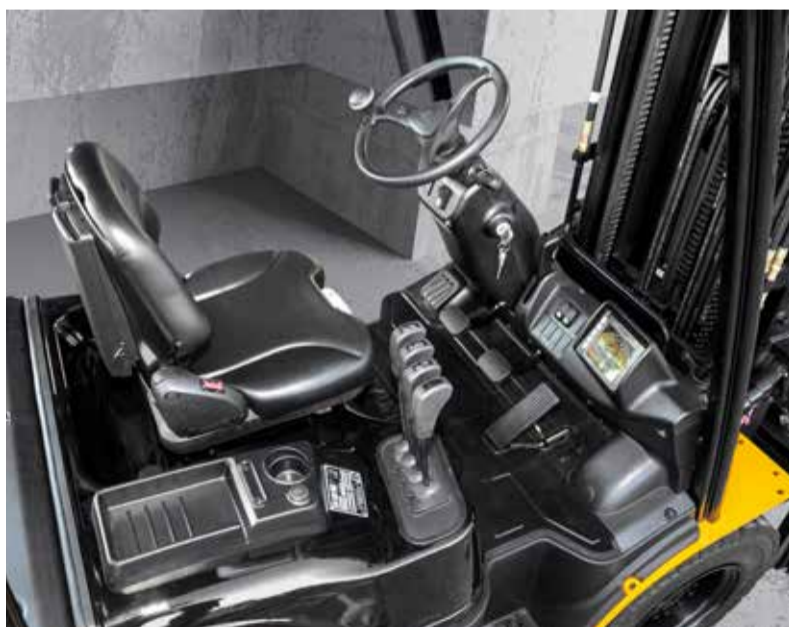
Powerful engine and high technology systems provide you with enhanced performance and high productivity.



Some of the photos may include optional equipment.

Spacious Operator Cabin

The newly designed cabin provides wide visibility and spacious environment, ensuring all day comfort for the operator.



Grammer Seat (STD)

Easily adjustable suspension seat, based on a human engineering design, reduces operator fatigue and provides greater comfort.

- ELR(Emergency Locking Retractor) type seat belt as a standard
- Heating(STD) and head rest(OPT)



Optimized pedal position

On the 9-series the pedals are mounted to the console to reduce operator fatigue, and noise and dust from the engine compartment.



Adjustable steering Wheel

To achieve a comfortable drive position, the angle of the steering column can easily be adjusted by a lever on the right-hand side of the steering column.



Low entrance height

The low entrance height ensures easy and safe access for the operator.

Advanced LCD Monitor

The 5.6 inch wide screen LCD color monitor allows the operator to control the machine with ease. The monitor features speed, travel direction, battery discharge indicator and hour meter.



Main monitoring features

- Hour-meter
- Fuel level gauge(Warning-Red)
- Signal / Warning light
- Gear (F / N / R)
- Speedometer
- Mast tilting degree(Alarm-Red)
- Clock
- Engine temperature gauge(Warning-Red)
- Odometer

① Load Indicator (OPT)

The optional load indicator displays the load weight on the monitor. The load sensor reduces the time to check loaded weight and the alarm alerts the driver when overloaded.

② Auto Fork Leveling System (OPT)

To improve the productivity the auto fork leveling system will automatically stop the tilt movement when the mast is in a straight position.

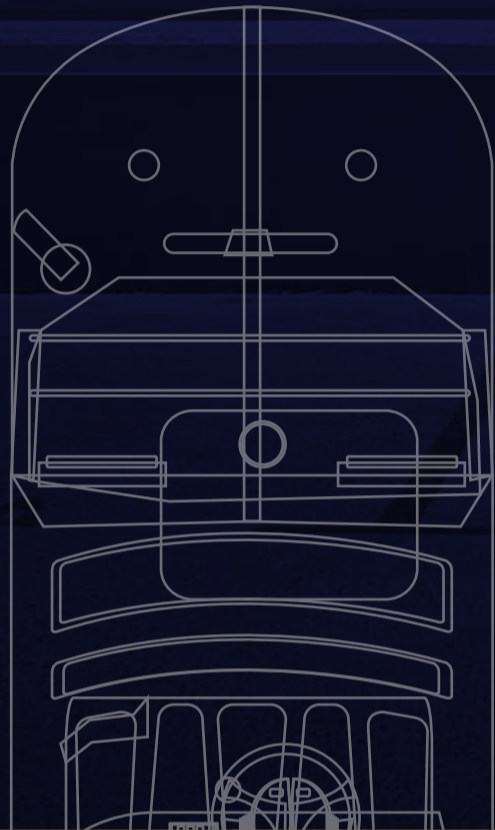
③ Machine inclination indication

The grade (left) and slope (right) sensors are built into the MCU and provide the grade and slope status information of the vehicle connected with the road surface condition in real time.

Secure & Safety

Advanced Safety

The safely designed driver's space makes your operating more comfortable.



EXCELLENT VISIBILITY

ADVANCED SAFETY

Some of the photos may include optional equipment.

Excellent visibility for safe operation

Optimized lift cylinder arrangement provides operator with wider visibility. The panoramic mirror expands the driver's view when backing up.

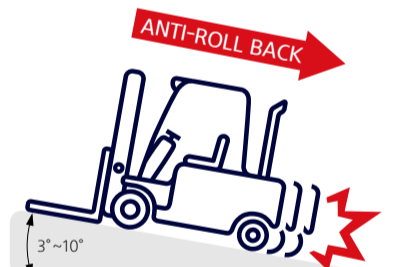


Safety Lamps & Rear Reflectors

Halogen headlights and rear LED combination lights offer the driver visibility in all circumstances. Rear reflectors mounted on the counterweight enhance safety for the driver and the application.

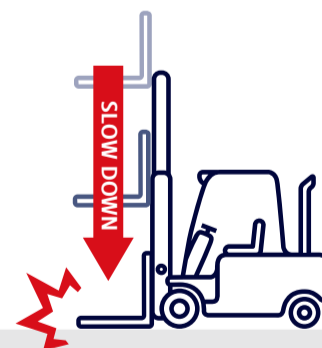
Various Safety System

The adoption of a high-sensitivity sensor and advanced safety system eliminates the risk of safety accidents.



Hill Start Assist Control (HAC)

Anti Roll-back system offers protection against the machine rolling back on a ramp in combination with exceptional ramp start capabilities.



Fork Safety Features

The down-safety valve prevents forks from dropping down in case of sudden damage of hydraulic line.



Operator Presence Sensing System

All mast and drive movements stop functioning when the operator is not in the seat.



Strong overhead guard

Exceeding CEE and ANSI regulations, the overhead guard offers optimal protection combined with excellent all round visibility.



Auto parking brake

If the operator leaves the seat while the gear lever is in neutral, the parking brake is automatically engaged to secure safety, and released upon the operator's return to the seat.

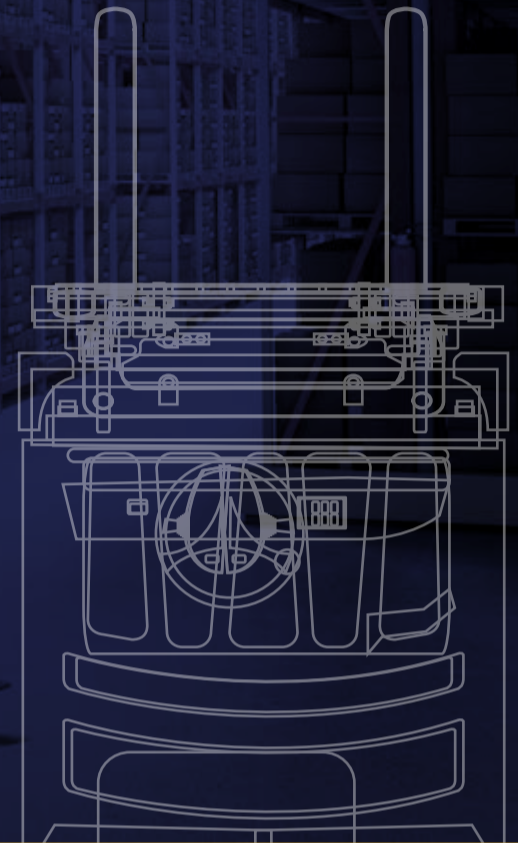
Maintenance & Convenience

Fast and Easy Maintenance

An ideal arrangement of components ensures easy access and convenience for maintenance.

BEST CONVENIENCE

EASY MAINTENANCE



Some of the photos may include optional equipment.

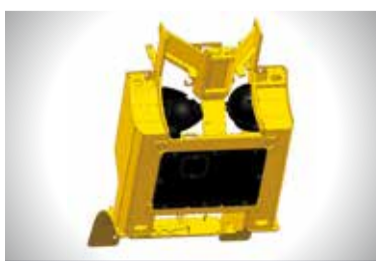
Large Engine Hood

Highly accessible engine compartment assures fast and efficient maintenance. The enlarged air cleaner(8") has extended service time of engine.



Waterproof & Dustproof cover

Newly developed Waterproof and Dustproof fuse box and relay box for ease of maintenance.



Rear tire & Under cover (OPT)

The rear tire cover and under cover with PE material protect the engine, radiator, and components from dusts caused by ground. Also, these options can be selected separately.



Password starting system

By granting the operation authority only to the designated driver, it is possible to manage the vehicle and prevent theft.



Rear view camera (OPT)

The rear view camera and monitor connected with the reverse switch guarantee a safe working environment.



Parking brake switch (STD) & Emergency switch (OPT)

A button-type switches enables to notify of emergency situations quickly and operate easily.



Bolt on type cabin

The bolt on type cabin consists of front side, door front, door rear, and rear side. It is easy to assemble by bolt and mount parts. Also, cabin can be selected by module or parts and air conditioner and heater are separately available for driver's convenience.

Maintenance Management			
Item	Interval	Elapse Count	Alarm
Axle Planetary Ge...	100	2 0	✓
Transmission Oil	100	2 0	✓
Transmission Oil F...	100	2 0	✓
Hydraulic Tank AI...	250	2 0	✓
Air Cleaner Comp...	450	2 0	✓
Engine Oil Filter	500	2 0	✓

Consumable item replacement cycle warning

This indicator automatically alerts the operator of the replacement cycle of key consumable items before a failure occurs; making managing maintenance easy, and to help extend the life of the machine.

25D-9E

Mast Type	Maximum Fork Height	Overall Height (Lowered)				Free lift height						Tilt Angle		Load capacity w/o side shift				Load capacity w/side shift				TRUCK WEIGHT (UNLOADED)							
														Single Tire		Double Tire		Single Tire		Double Tire		Single Tire		Double Tire					
						in	mm	in	mm	in	mm	in	mm	in	mm	deg	deg	24 in LC	500mm LC	24 in LC	500mm LC	24 in LC	500mm LC	24 in LC	500mm LC	lb	kg	lb	kg
2-STAGE LIMITED FREE LIFT	V300	118	3,005	80	2,025	5	155	5	155	5	155	6	10	5,000	2,500	5,000	2,500	5,000	2,500	5,000	2,500	5,000	2,500	8,391	3,806	8,664	3,930		
	*V330	130	3,305	86	2,175							6	10	5,000	2,500	5,000	2,500	5,000	2,500	5,000	2,500	5,000	2,500	8,433	3,825	8,708	3,950		
	V350	138	3,505	90	2,275							6	10	5,000	2,500	5,000	2,500	5,000	2,500	5,000	2,500	5,000	2,500	8,470	3,842	8,746	3,967		
	V370	146	3,705	96	2,425							6	10	5,000	2,500	5,000	2,500	5,000	2,460	5,000	2,500	5,000	2,380	5,000	2,500	8,585	3,894	8,860	4,019
	V400	158	4,005	101	2,575							6	10	5,000	2,500	5,000	2,500	5,000	2,430	5,000	2,500	4,870	2,310	5,000	2,460	8,748	3,968	9,023	4,093
2-STAGE FULL FREE LIFT	VF325	129	3,276	85	2,175	39	995	60	1,527	60	1,527	6	6	5,000	2,500	5,000	2,500	5,000	2,460	5,000	2,500	8,508	3,859	8,794	3,989				
3-STAGE FULL FREE LIFT	TF430	170	4,305	80	2,025	33	845	54	1,377	50	1,281	6	6	5,000	2,440	5,000	2,500	5,000	2,320	5,000	2,460	8,726	3,958	9,012	4,088				
	TF450	177	4,505	84	2,125	37	945	58	1,477	56	1,431	6	6	5,000	2,410	5,000	2,500	4,850	2,290	5,000	2,380	8,774	3,980	9,061	4,110				
	TF470	185	4,705	86	2,175	39	995	60	1,527	56	1,431	6	6	4,920	2,360	5,000	2,450	4,700	2,240	4,860	2,330	8,805	3,994	9,090	4,123				
	TF500	197	5,005	90	2,275	43	1,095	64	1,627	60	1,531	6	6	4,810	2,310	4,940	2,400	4,590	2,190	4,720	2,280	8,854	4,016	9,138	4,145				
	TF550	217	5,505	97	2,475	51	1,295	72	1,827	70	1,781	6	6	3,240	1,550	4,780	2,310	3,020	1,430	4,560	2,190	8,940	4,055	9,224	4,184				
	TF600	236	6,005	105	2,675	59	1,495	80	2,027	78	1,981	6	6	2,930	1,400	4,590	2,210	2,710	1,280	4,370	2,090	9,083	4,120	9,367	4,249				
	TF650	256	6,505	113	2,875	67	1,695	81	2,044	75	1,904	3	3	2,840	1,350	4,540	2,180	2,620	1,230	4,320	2,060	9,184	4,166	9,471	4,296				
	TF700	276	7,005	121	3,075	75	1,895	88	2,244	83	2,104	3	3	2,430	1,150	4,370	2,100	2,210	1,050	4,150	1,980	9,268	4,204	9,555	4,334				
	TS430	170	4,305	80	2,025	33	845	54	1,377	45	1,146	6	6	5,000	2,440	5,000	2,500	5,000	2,320	5,000	2,460	8,726	3,958	9,012	4,088				
	TS450	177	4,505	84	2,125	37	945	58	1,477	53	1,346	6	6	5,000	2,410	5,000	2,500	4,850	2,290	5,000	2,380	8,774	3,980	9,061	4,110				
	TS470	185	4,705	86	2,175	39	995	60	1,527	51	1,296	6	6	4,920	2,360	5,000	2,450	4,700	2,240	4,860	2,330	8,805	3,994	9,090	4,123				
	TS500	197	5,005	90	2,275	43	1,095	64	1,627	55	1,396	6	6	4,810	2,310	4,940	2,400	4,590	2,190	4,720	2,280	8,854	4,016	9,138	4,145				
TS550	217	5,505	97	2,475	51	1,295	72	1,827	67	1,696	6	6	3,240	1,550	4,780	2,310	3,020	1,430	4,560	2,190	8,940	4,055	9,224	4,184					
TS600	236	6,005	105	2,675	59	1,495	80	2,027	75	1,896	6	6	2,930	1,400	4,590	2,210	2,710	1,280	4,370	2,090	9,083	4,120	9,367	4,249					
4-STAGE FULL FREE LIFT	QF610	241	6,115	85	2,160	39	980	60	1,512	56	1,412	3	3	3,330	1,600	4,410	2,120	3,110	1,480	4,190	2,000	9,616	4,362	9,947	4,512				
	QF700	276	7,015	97	2,460	50	1,280	71	1,812	67	1,712	3	3	2,290	1,100	4,120	1,980	2,070	980	3,900	1,860	9,815	4,452	10,146	4,602				

* : Standard

New 9 Series Mast Specifications

30D-9E

Mast Type	Maximum Fork Height	Overall Height (Lowered)				Free lift height						Tilt Angle		Load capacity w/o side shift				Load capacity w/side shift				TRUCK WEIGHT (UNLOADED)					
														Single Tire		Double Tire		Single Tire		Double Tire		Single Tire		Double Tire			
						in	mm	in	mm	in	mm	in	mm	in	mm	deg	deg	24 in LC	500mm LC	24 in LC	500mm LC	24 in LC	500mm LC	24 in LC	500mm LC	lb	kg
2-STAGE LIMITED FREE LIFT	V300	118	3,005	80	2,040	5	155	5	155	5	155	6	10	6,000	3,000	6,000	3,000	6,000	3,000	6,000	3,000	6,000	3,000	9,257	4,199	9,464	4,293
	*V330	130	3,305	86	2,190							6	10	6,000	3,000	6,000	3,000	6,000	3,000	6,000	3,000	6,000	3,000	9,301	4,219	9,508	4,313
	V350	138	3,505	90	2,290							6	10	6,000	3,000	6,000	3,000	6,000	3,000	6,000	3,000	6,000	3,000	9,341	4,237	9,548	4,331
	V370	146	3,705	96	2,440							6	10	6,000	3,000	6,000	3,000	6,000	2,930	6,000	3,000	9,370	4,250	9,577	4,344		
	V400	158	4,005	102	2,590							6	10	6,000	3,000	6,000	3,000	6,000	2,820	6,000	3,000	9,458	4,290	9,667	4,385		
2-STAGE FULL FREE LIFT	VF325	129	3,276	85	2,190	39	1,010	60	1,464	58	1,464	6	6	6,000	3,000	6,000	3,000	6,000	2,950	6,000	3,000	9,478	4,299	9,683	4,392		
3-STAGE FULL FREE LIFT	TF430	170	4,305	80	2,040	34	860	52	1,314	50	1,281	6	6	6,000	2,930	6,000	3,000	5,810	2,750	6,000	2,820	9,744	4,420	9,947	4,512		
	TF450	177	4,505	84	2,140	38	960	56	1,414	56	1,414	6	6	5,930	2,880	6,000	2,940	5,630	2,700	5,830	2,760	9,799	4,445	10,004	4,538		
	TF470	185	4,705	86	2,190	40	1,010	58	1,464	56	1,431	6	6	5,890	2,850	5,970	2,900	5,590	2,670	5,670	2,720	9,830	4,459	10,035	4,552		
	TF500	197	5,005	90	2,290	44	1,110	62	1,564	60	1,531	6	6	5,730	2,700	5,840	2,840	5,430	2,520	5,540	2,660	9,881	4,482	10,084	4,574		
	TF550	217	5,505	98	2,490	52	1,310	69	1,764	69	1,764	6	6	3,660	1,750	5,640	2,720	3,360	1,570	5,340	2,540	9,978	4,526	10,181	4,618		
	TF600	236	6,005	106	2,690	59	1,510	77	1,964	77	1,964	6	6	3,020	1,450	5,450	2,630	2,720	1,310	5,150	2,450	10,132	4,596	10,335	4,688		
	TF650	256	6,505	114	2,890	67	1,710	81	2,061	76	1,921	3	3	2,930	1,400	5,380	2,590	2,630	1,270	5,080	2,410	10,245	4,647	10,448	4,739		
	TF700	276	7,005	122	3,090	75	1,910	89	2,261	84	2,121	3	3	2,540	1,200	5,200	2,500	2,240	1,080	4,900	2,320	10,340	4,690	10,545	4,783		
	TS430	170	4,305	80	2,040	34	860	52	1,314	49	1,253	6	6	6,000	2,930	6,000	3,000	5,810	2,750	6,000	2,820	9,744	4,420	9,947	4,512		
	TS450	177	4,505	84	2,140	38	960	56	1,414	55	1,403	6	6	5,930	2,880	6,000	2,940	5,630	2,700	5,830	2,760	9,799	4,445	10,004	4,538		
	TS470	185	4,705	86	2,190	40	1,010	58	1,464	55	1,403	6	6	5,890	2,850	5,970	2,900	5,590	2,670	5,670	2,720	9,830	4,459	10,035	4,552		
	TS500	197	5,005	90	2,290	44	1,110	62	1,564	59	1,503	6	6	5,730	2,700	5,840	2,840	5,430	2,520	5,540	2,660	9,881	4,482	10,084	4,574		
TS550	217	5,505	98	2,490	52	1,310	69	1,764	69	1,753	6	6	3,660	1,750	5,640	2,720	3,360	1,570	5,340	2,540	9,978	4,526	10,181	4,618			
TS600	236	6,005	106	2,690	59	1,510	77	1,964	77	1,953	6	6	3,020	1,450	5,450	2,630	2,720	1,310	5,150	2,450	10,132	4,596	10,335	4,688			
4-STAGE FULL FREE LIFT	QF610	241	6,115	86	2,175	39	995	57	1,449	57	1,449	3	3	3,530	1,700	5,290	2,560	3,230	1,520	4,990	2,380	10,545	4,783	10,789	4,894		
	QF700	276	7,015	97	2,475	51	1,295	69	1,749	69	1,																

New 9 Series Mast Specifications

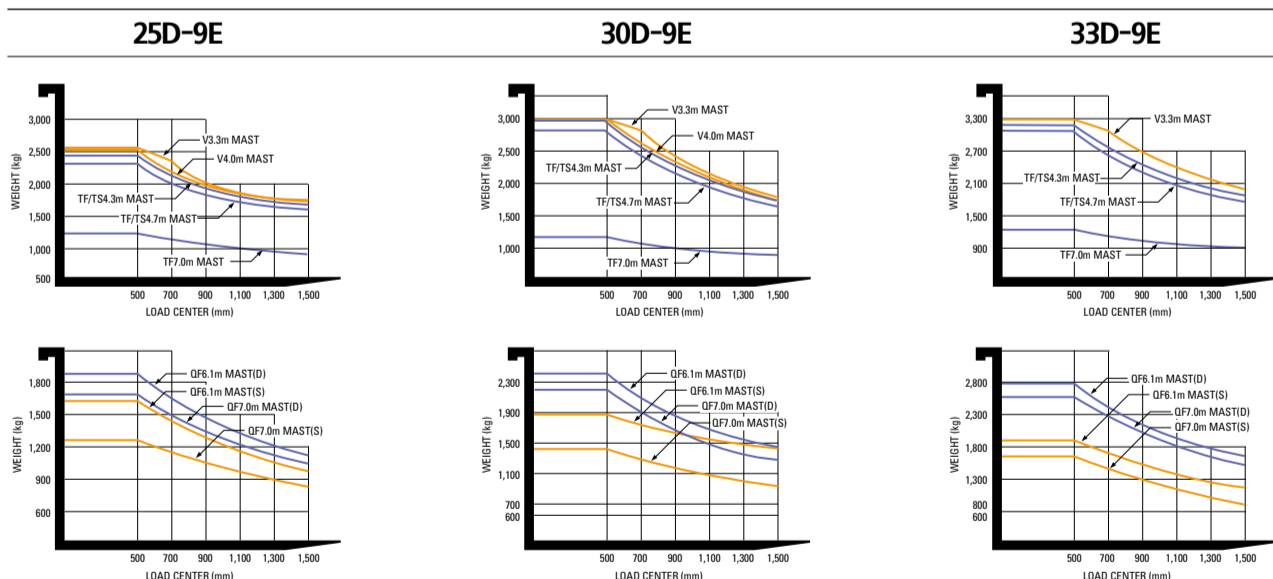
33D-9E

Mast Type	Maximum Fork Height	Overall Height (Lowered)				Free lift height						Tilt Angle		Load capacity w/o side shift				Load capacity w/side shift				TRUCK WEIGHT (UNLOADED)							
						With Load Backrest		Without Load Backrest		Without Load Backrest (3/4-SPOOL)		Fwd	Bwd	Single Tire		Double Tire		Single Tire		Double Tire		Single Tire		Double Tire					
						in	mm	in	mm	in	mm	in	mm	deg	deg	24 in LC	500mm LC	24 in LC	500mm LC	24 in LC	500mm LC	24 in LC	500mm LC	lb	kg	lb	kg		
2-STAGE LIMITED FREE LIFT	V300	118	3,005	83	2,110	5	155	5	155	5	155	6	10	6,500	3,300	6,500	3,300	6,500	3,300	6,500	3,300	6,500	3,300	9,921	4,500	10,161	4,609		
	*V330	130	3,305	89	2,260							6	10	6,500	3,300	6,500	3,300	6,500	3,300	6,500	3,300	6,500	3,300	6,500	3,300	9,921	4,500	10,161	4,609
	V350	138	3,505	93	2,360							6	10	6,500	3,300	6,500	3,300	6,500	3,300	6,500	3,300	6,500	3,300	6,500	3,300	9,954	4,515	10,196	4,625
	V370	146	3,705	99	2,510							6	10	6,500	3,300	6,500	3,300	6,500	3,210	6,500	3,300	6,500	3,300	6,500	3,300	9,987	4,530	10,225	4,638
	V400	158	4,005	105	2,660							6	10	6,500	3,300	6,500	3,300	6,500	3,120	6,500	3,300	6,500	3,300	6,500	3,300	10,077	4,571	10,317	4,680
V450	177	4,505	117	2,960	6	6	6,500	3,190	6,500	3,300	6,500	3,010	6,500	3,120	6,500	3,120	6,500	3,120	10,247	4,648	10,489	4,758							
2-STAGE FULL FREE LIFT	VF325	129	3,276	88	2,260	42	1,080	60	1,534	60	1,534	6	6	6,500	3,300	6,500	3,300	6,500	3,210	6,500	3,300	10,130	4,595	10,364	4,701				
3-STAGE FULL FREE LIFT	TF430	170	4,305	83	2,110	37	930	52	1,314	52	1,314	6	6	6,500	3,180	6,500	3,280	6,500	3,000	6,500	3,100	10,461	4,745	10,694	4,851				
	TF450	177	4,505	87	2,210	41	1,030	56	1,414	56	1,414	6	6	6,500	3,120	6,500	3,220	6,270	2,940	6,500	3,040	10,507	4,766	10,743	4,873				
	TF470	185	4,705	89	2,260	43	1,080	58	1,464	58	1,464	6	6	6,350	3,080	6,500	3,170	6,050	2,900	6,290	2,990	10,538	4,780	10,772	4,886				
	TF500	197	5,005	93	2,360	47	1,180	62	1,564	62	1,564	6	6	6,260	3,030	6,390	3,110	5,960	2,850	6,090	2,930	10,586	4,802	10,820	4,908				
	TF550	217	5,505	101	2,560	54	1,380	69	1,764	69	1,764	6	6	4,560	2,200	6,170	2,990	4,260	2,020	5,870	2,810	10,683	4,846	10,917	4,952				
	TF600	236	6,005	109	2,760	62	1,580	77	1,964	77	1,964	6	6	3,130	1,500	5,950	2,870	2,830	1,360	5,650	2,690	10,844	4,919	11,078	5,025				
	TF650	256	6,505	117	2,960	70	1,780	85	2,164	81	2,061	3	3	3,060	1,450	5,910	2,830	2,760	1,310	5,610	2,650	10,950	4,967	11,184	5,073				
	TF700	276	7,005	124	3,160	78	1,980	93	2,364	89	2,261	3	3	2,650	1,250	5,710	2,730	2,350	1,130	5,410	2,550	11,041	5,008	11,274	5,114				
	TS430	170	4,305	83	2,110	37	930	52	1,314	52	1,314	6	6	6,500	3,180	6,500	3,280	6,500	3,000	6,500	3,100	10,461	4,745	10,694	4,851				
	TS450	177	4,505	87	2,210	41	1,030	56	1,414	56	1,414	6	6	6,500	3,120	6,500	3,220	6,270	2,940	6,500	3,040	10,507	4,766	10,743	4,873				
	TS470	185	4,705	89	2,260	43	1,080	58	1,464	58	1,464	6	6	6,350	3,080	6,500	3,170	6,050	2,900	6,290	2,990	10,538	4,780	10,772	4,886				
	TS500	197	5,005	93	2,360	47	1,180	62	1,564	62	1,564	6	6	6,260	3,030	6,390	3,110	5,960	2,850	6,090	2,930	10,586	4,802	10,820	4,908				
	TS550	217	5,505	101	2,560	54	1,380	69	1,764	69	1,764	6	6	4,560	2,200	6,170	2,990	4,260	2,020	5,870	2,810	10,683	4,846	10,917	4,952				
TS600	236	6,005	109	2,760	62	1,580	77	1,964	77	1,964	6	6	3,130	1,500	5,950	2,870	2,830	1,360	5,650	2,690	10,844	4,919	11,078	5,025					
4-STAGE FULL FREE LIFT	QF610	241	6,115	88	2,225	41	1,045	57	1,449	57	1,449	3	3	3,750	1,800	5,930	2,870	3,450	1,620	5,630	2,690	11,122	5,045	11,367	5,156				
	QF700	276	7,015	99	2,525	53	1,345	69	1,749	69	1,749	3	3	2,710	1,300	5,600	2,700	2,410	1,170	5,300	2,520	11,321	5,135	11,565	5,246				

* : Standard

New 9 Series

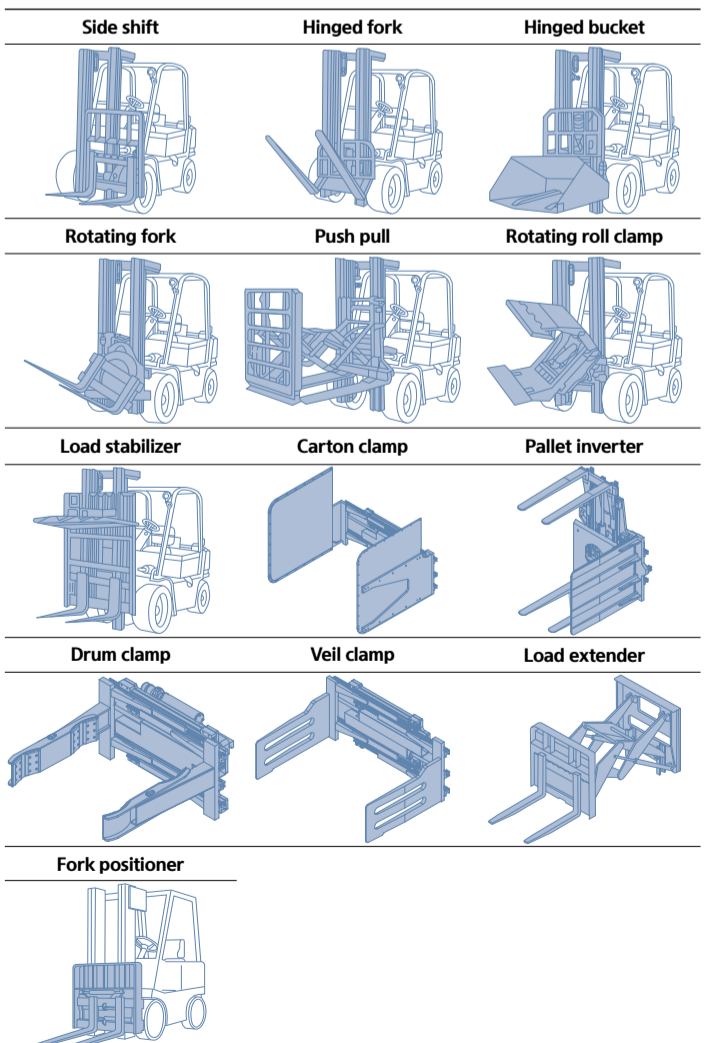
Load Capacity



Optional Items

- Fork(mm)
25D-9E : 900/1,000/1,050(STD)/1,200/1,350/1,500/1,650/1,800/2,100
30/33D-9E : 900/1,050(STD)/1,150/1,200/1,350/1,500/1,650/1,800/1,970/2,120/2,300/2,400
- Integral Sideshift, Fork positioner, Sideshift
- Tire : Pneumatic(STD) / Solid(superelastic) / Non-marking / Front double tire
- M.C.V : 4-Spool, 3-Spool(STD)
- Seat : Armrest, Heat, Backrest Ext, Buckle SW
- Load Indicator
- Auto Fork Leveling System
- Rear Tire & Under Cover
- Rear View Camera
- Cabin (Heater)
- Hydraulic Pump Temperature / Pressure Monitor
- Battery Disconnect Switch (Master Switch)
- Beacon Lamp LED (Amber, Red, Blue)
- Rear Work Lamp
- F-N-R & Horn Knob switch
- Rear Horn
- Fire Extinguisher
- Pre Cleaner
- Emergency Switch
- OPSS (Travel, Mast)

Attachments

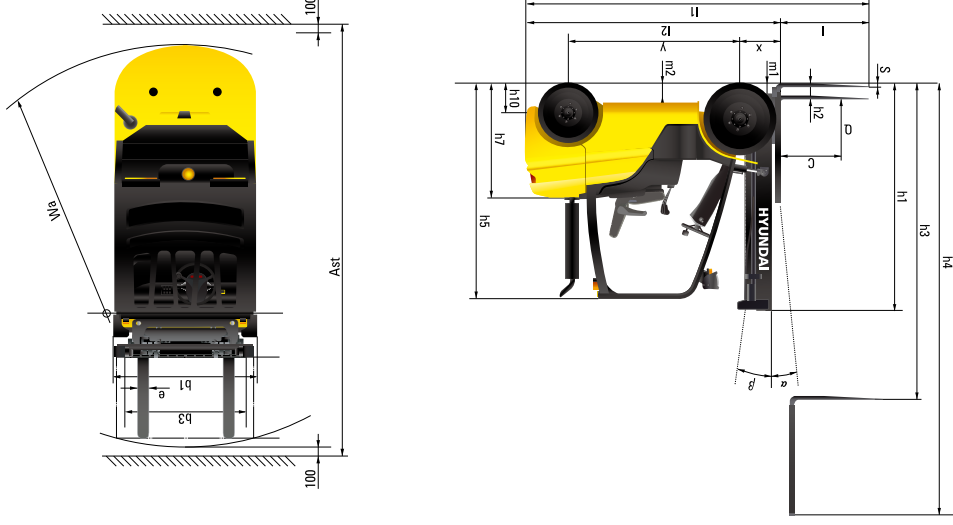


* All specifications and photos in this catalog are subject to change for quality improvement.

Specification

Distinguishing mark		Hyundai		
1.1	Manufacturer			
1.2	Manufacturer's model designation	33D-9E	30D-9E	33D-9E
1.3	Drive: electric (battery or mains),diesel,petrol,fuel gas,manual	DIESEL	DIESEL	DIESEL
1.4	Type of operation:hand,pedestrian,standing,seated,order-picker	seated	seated	seated
1.5	Load capacity / Rated load	kg	2,500	3,000
1.6	Load center distance	c mm	500	500
1.8	Load distance, center of drive axle to fork	x mm	468	468
1.9	Wheelbase	y mm	1,650	1,700
Weight		kg	3,825	4,219
2.1	Service weight	kg	3,825	4,219
2.2	Axle loading, loaded front/rear	kg	5,549 / 776	6,355 / 863
2.3	Axle loading, unloaded front/rear	kg	1,582 / 2,243	1,647 / 2,572
Tires, chassis				
3.1	Tires : Pneumatic(P), Solid(S), Non-marking(N)	P	P	P
3.2	Tires size, front		700-12-12PR	8.15-15-14PR
3.3	Tires size, rear		6.50-10-12PR	6.50-10-12PR
3.4	Number of wheels front / rear (x=driven wheels)		2x / 2	2x / 2
3.5	Track width, front	mm	999	1,005
3.6	Track width, rear	mm	980	980
Dimension				
4.1	Mast / fork carriage tilt forward / backward (/ degrees	6 / 10	6 / 10	6 / 10
4.2	Lowered mast height	h1 (mm)	2,175	2,190
4.3	Free lift	h2 (mm)	155	155
4.4	Lift height	h3 (mm)	3,305	3,305
4.5	Extended mast height	h4 (mm)	4,485	4,485
4.7	Overhead guard height (cabin)	h5 (mm)	2,160 (2,170)	2,180 (2,190)
4.8	Seat height / standing height rel. to SIP	h7 (mm)	1,212	1,212
4.12	Coupling height	h10 (mm)	310	300
4.19	Overall length	l1 (mm)	3,782	3,726
4.20	Length to face of forks	l2 (mm)	2,676	2,732
4.21	Overall width	b1 (mm)	1,200	1,230
4.22	Fork dimensions(hook type)	l / e / s (mm)	1,050 x 100 x 45	1,050 x 122 x 45
4.23	Fork carriage ISO 2328, class / type A,B		2A	3A
4.24	Fork-carriage width	b3 (mm)	1,102	1,102
4.31	Ground clearance, loaded, under mast	m1 (mm)	130	145
4.32	Ground clearance, center of wheelbase	m2 (mm)	172	181
4.33	Aisle width for pallets 1,000X1,200 crossways (LxW)	Ast (mm)	4,010	4,081
4.34	Aisle width for pallets 800X1,200 lengthways (WxL)	Ast (mm)	4,210	4,281
4.35	Turning radius	Wa (mm)	2,342	2,413
4.36	Smallest pivot point distance	b13 (mm)	714	731
Performance data				

Dimension



* All specifications in this catalog are subject to change according to the optional items.

Addition data

6.1	Engine manufacturer / type	Yanmar 4TNE92	Yanmar 4TNE92	Yanmar 4TNE92
6.2	Engine power acc. to ISO 1585	kW/rpm	33.4(45.4ps) / 2,450	33.4(45.4ps) / 2,450
6.3	Maximum Torque	kgf·m/rpm	14.7 / 1,600	14.7 / 1,600
6.4	No. of cylinder / cubic capacity	EA/cc	4 / 2,659	4 / 2,659
6.5	Fuel consumption acc. To VDI cycle	l / h	3.4	3.4
Engine				
5.1	Travel speed, unloaded	km/h	17.1	18.4
5.2	Lift speed, loaded/ unloaded	mm/s	570 / 580	480 / 480
5.3	Lowering speed, loaded/unloaded	mm/s	500 / 450	500 / 450
5.6	Max. Drawbar pull, loaded	N	19,218	17,380
5.7	Gradient performance, loaded	%	28.5	22.3
5.9	Acceleration time, loaded/ unloaded(10m)	sec	-	-
5.10	Service brake		FOOT	FOOT
Engine				
8.1	Type of drive control	PowerShift	PowerShift	PowerShift
8.2	Operating pressure, system / attach	bar	197 / 162	197 / 162
8.3	Attach oil volume	l / min	30 (60 Max.)	30 (60 Max.)
8.4	Sound pressure level (at driver's ear according to DIN 12053)	dB(A)	81	81
8.5	Trailer coupling, type DIN		PIN	PIN